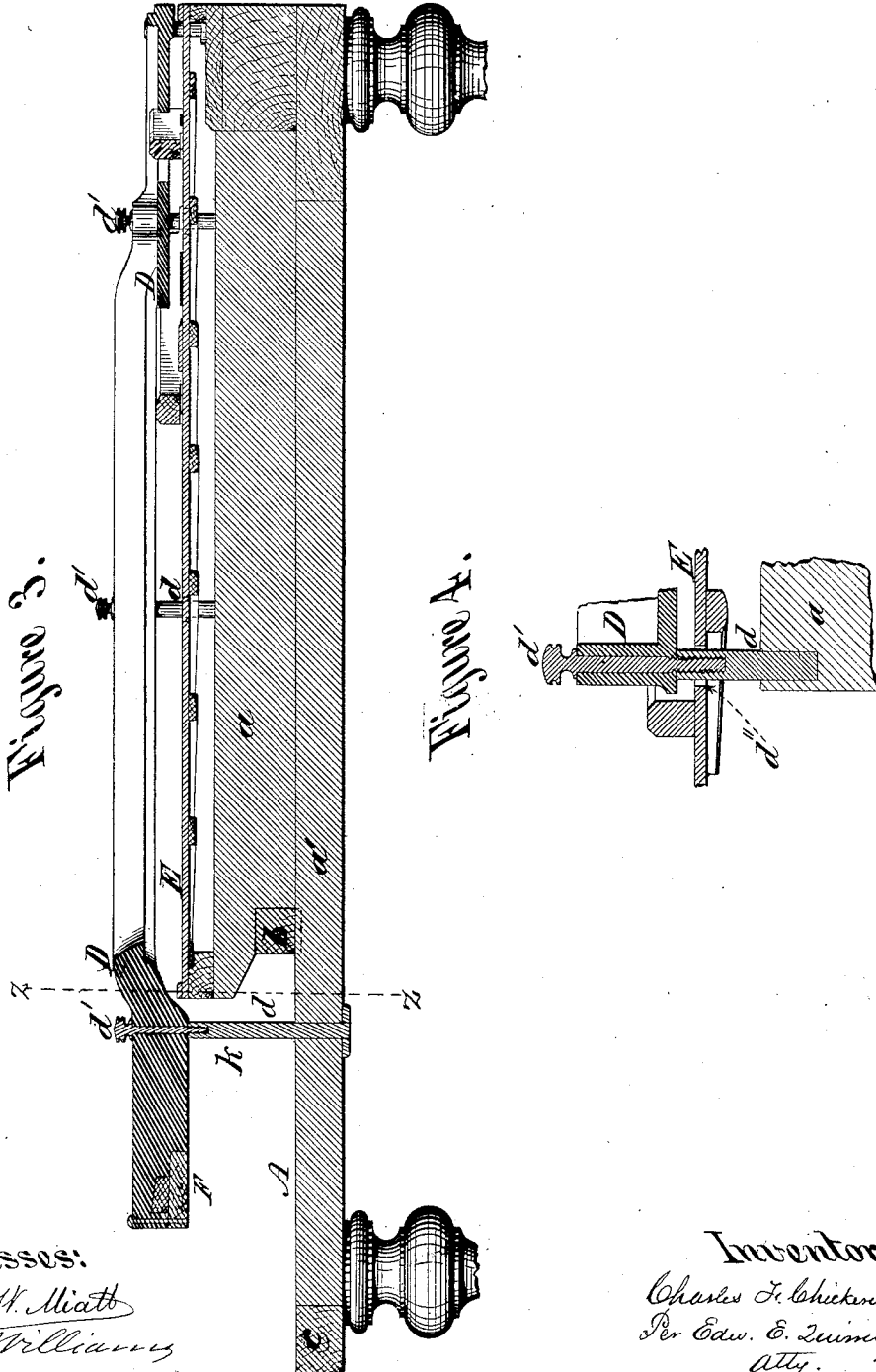


C. F. CHICKERING.  
Piano Fortes.

No. 197,332.

Patented Nov. 20, 1877.



*Figure 3.*

*Figure A.*

Witnesses:  
 Geo. W. Miant  
 E. H. Williams

Inventor:  
 Charles F. Chickering  
 Per Edw. E. Quimby  
 atty.